

TH193-V1 SHEAR TEST FIXTURE

Parallel

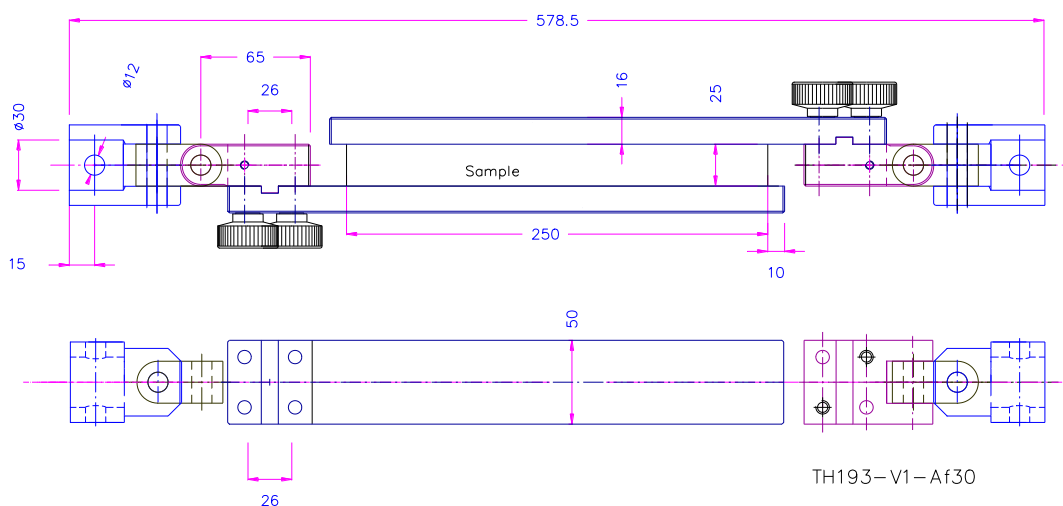
Conforms to
NFT 56-605, ISO 1922-1981

Max. force capacity 25 kN

Coupling Af15.9 mm or Af31.8 mm
(other couplings on request)

Steel

Scope of delivery: 1 pair



TH193-V2 SHEAR TEST FIXTURE

Angle

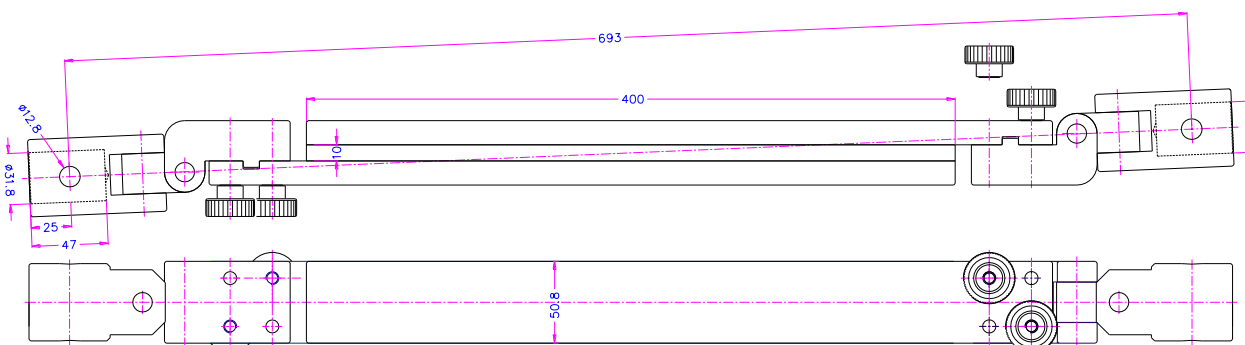
Conforms to ASTM C273

Max. force capacity 35 kN

Coupling Af15.9 mm or Af31.8 mm
(other couplings on request)

Steel

Scope of delivery: 1 pair



TH193-V4 SHEAR TEST FIXTURE

Adjustable

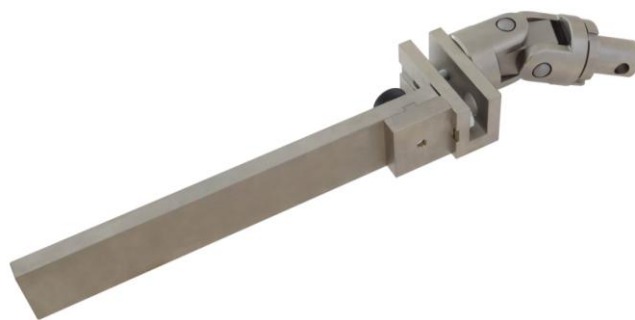
Conforms to
NFT 56-605, ISO1922-1981,
ASTM-C273, EN12090

Max force capacity:
100 kN for samples 0-10 mm thick
75 kN for samples 11-50 mm thick
50 kN for samples 51-110 mm thick

Coupling Af31.8 mm
(other couplings on request)

Steel

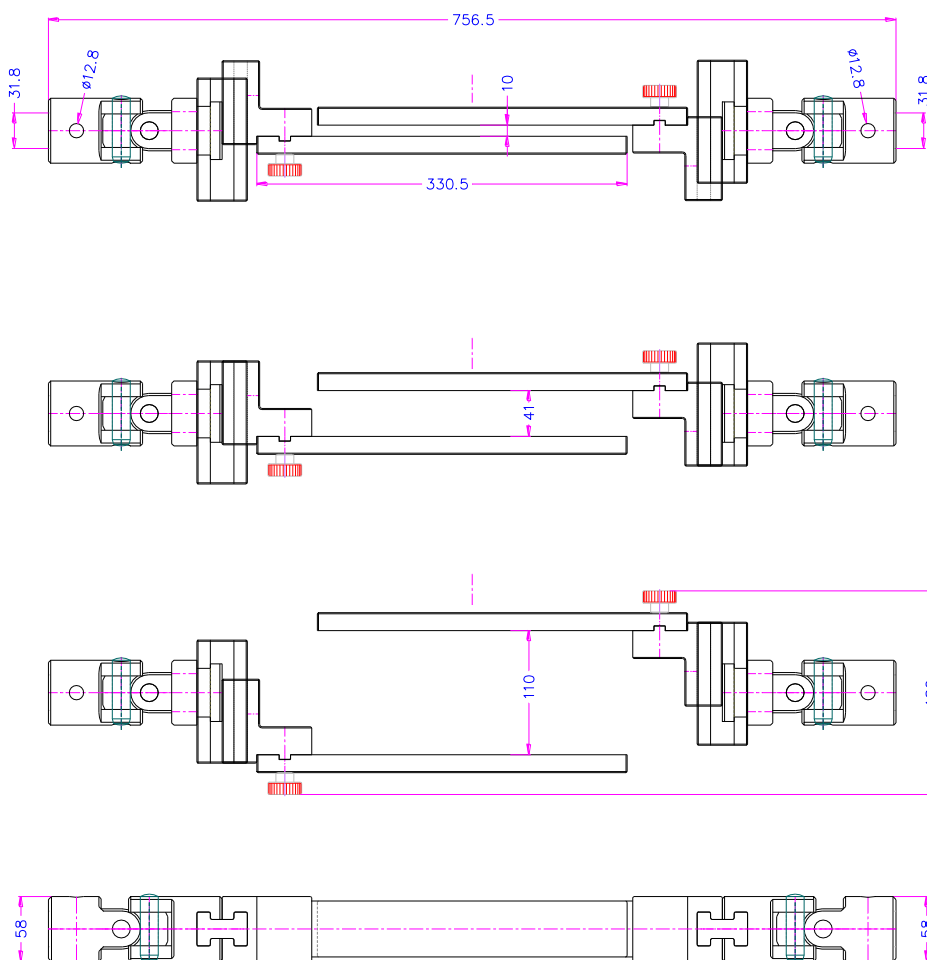
Scope of delivery: 1 pair



TH193-V4-Am317 right part



TH193-V4 without adapter

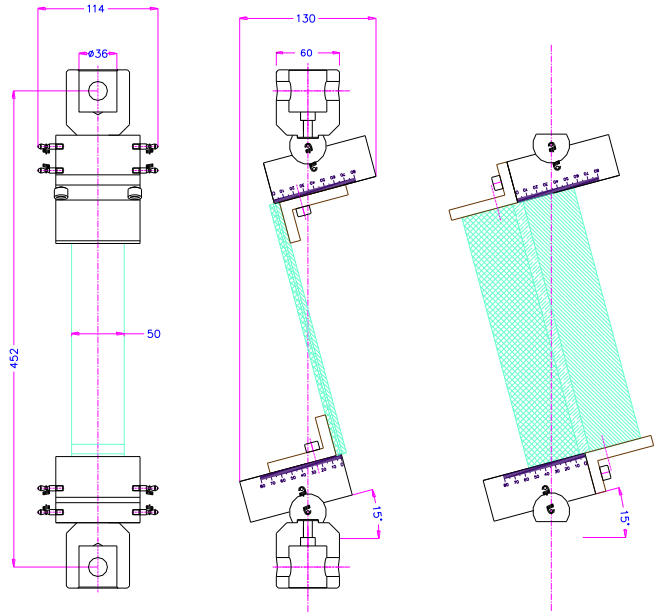


TH193-V4-Af318

Examples for customized solutions:

TH193-V5

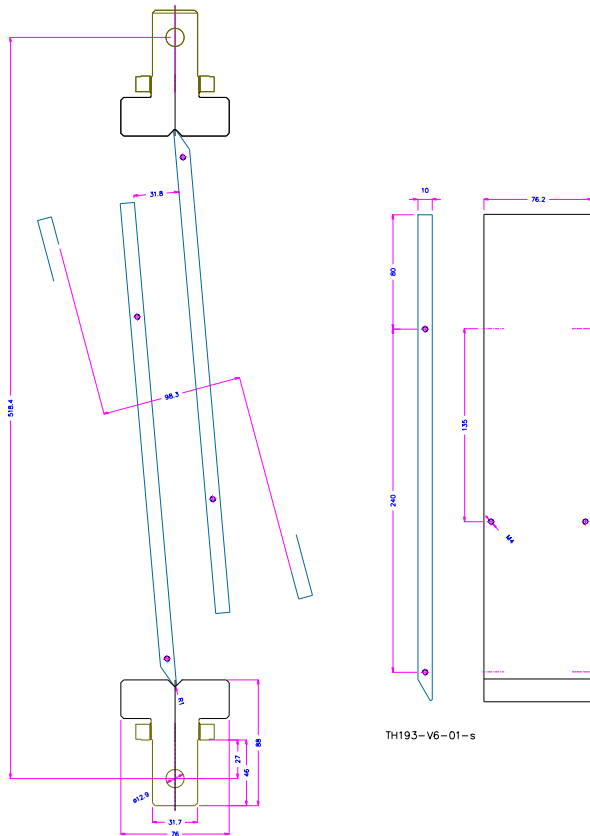
Compression shear test fixture with scale and stop, adjustable



TH193-V5-Af36

TH193-V6

Compression shear test fixture, not adjustable



TH193-V6-01-s

TH193-V6-Am317